

Version	2.0	Date	1/23/18
---------	-----	------	---------

Prepared By	JC
-------------	----

PRODUCT SPECIFICATION

Category	LED Lamp
Item Number	5784
Stock Code	LED17BR40/140L/27K
Base	E26
Housing Color	White



ELECTRICAL CHARACTERISTICS

Rated Wattage (W)	17	Replacement Wattage (W)	100
Tested Wattage (W)	17		
Input Voltage (V)	120V	Surge Protect Level	-
Voltage Frequency (Hz)	50/60		
Input Current (A)	-	Dimmable	Yes
Power Factor	>0.9	AUX (12V) Line	-
THD	-		

PHOTOMETRIC CHARACTERISTICS

Lumen (lm)	1,400	CCT (K)	2700K
Efficacy (lm/w)	82	Beam Angle (°)	Flood
CRI	90		

GENERAL CHARACTERISTICS

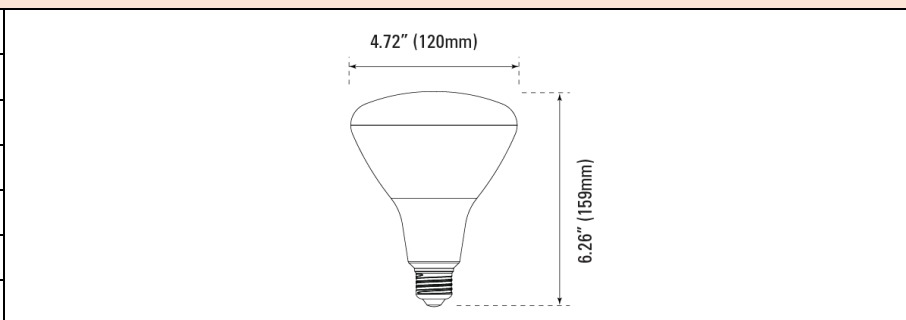
Operating Temperature (°F)	-4°F ~ 104°
Storage Temperature (°F)	-4°F ~ 140°
IP Rating	Damp Location
IK Rating	-
Rated Life (Hrs)	25,000
Warranty (Yrs)	3

ACCESSORIES

Item #	Stock Code	Description

PRODUCT DIMENSIONS

Width- in / (mm)	4.72" 120
Height- in / (mm)	6.26" 159
Depth- in / (mm)	- -
IK Rating	-
Weight (lbs)	4.16oz
Mounting Height (ft)	-
Cable Length (ft)	-



CERTIFICATIONS

UL/ETL	UL	CEC	
NSF/ETL Sanitation		JA8	
Energy Star		FCC	✓
DLC		RoHs	✓

DOCUMENTS

LM79	✓	IES File	✓
LM80	✓	Dimmer List	

COMMENTS

--